

MICRO SWITCH
a Honeywell Division

FED. MFG. CODE 91929

ASSEMBLY-SWITCH

CATALOG LISTING

3AC6

KC-C0070

CATALOG LISTING
3AC6
PAGE 1 OF 1

ISSUE
13

REVISIONS
A CO-183621
K D R
9 SEP 96

DDM/CAD
DRAWN
K D R
9 SEP 96

REPLACES

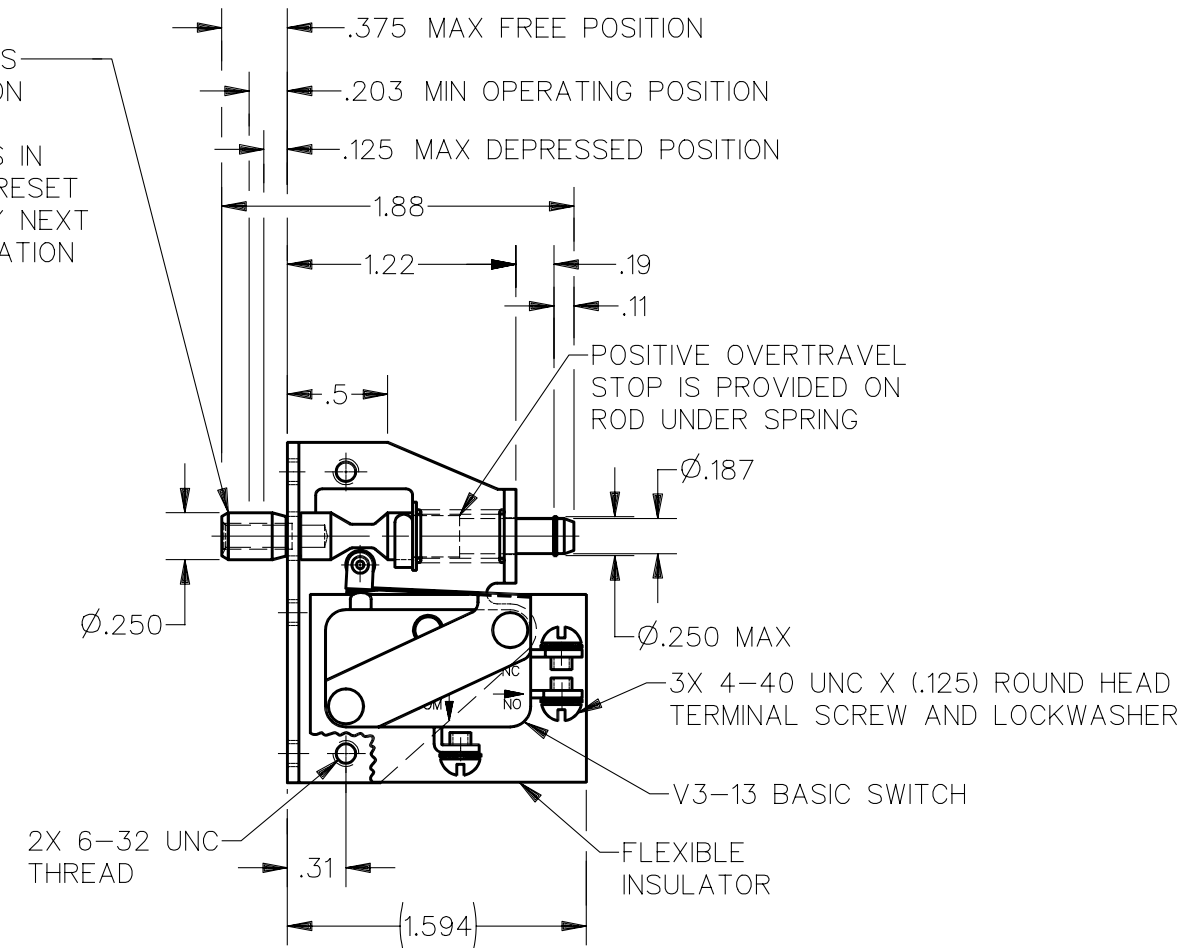
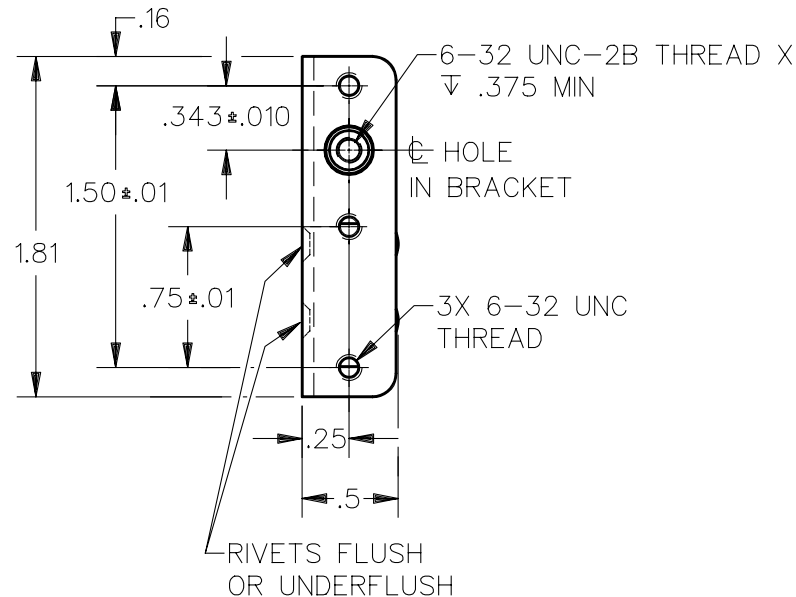
RELEASE NO.

CHECK

CHECK

CHECK

PUSH TO OPERATE—RETURNS
AUTOMATICALLY TO POSITION
SHOWN
PULL TO OPERATE—REMAINS IN
OPERATED POSITION UNTIL RESET
FOR AUTOMATIC RETURN BY NEXT
FULL STROKE "PUSH" OPERATION

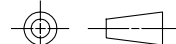


NOTES

- 1 - NOTCH IN ACTUATOR ROD WILL PERMIT .035 DISPLACEMENT BETWEEN END OF ROD AND HOLE IN BRACKET
- 2 - PLASTIC PARTS ARE MADE OF MINERAL FILLED PHENOLICS
- 3 - WITH ROD IN EITHER ACTUATED POSITION, BASIC SWITCH PLUNGER MUST HAVE .010 MIN OVERTRAVEL AND WITH ROD IN FREE POSITION BASIC SWITCH PLUNGER MUST HAVE .005 MIN RELEASE TRAVEL

THIS DRAWING COVERS A PROPRIETARY ITEM AND IS THE PROPERTY OF MICRO SWITCH, A DIVISION OF HONEYWELL. THIS DRAWING IS NOT TO BE COPIED OR USED WITHOUT THE APPROVAL OF MICRO SWITCH

THIRD ANGLE PROJECTION



CHARACTERISTICS

TOTAL TRAVEL
.250 APPROX PUSH DIRECTION
.187 APPROX PULL DIRECTION

FULLY DEPRESSED FORCE --- 4 LB MAX

ELECTRICAL DATA

CONTACT ARRANGEMENT
S P D T

15.1A 1/2HP 125 OR 250 VAC
1/2A 125 VDC, 1/4A 250 VDC
5A 125 VAC "L"

SCALE FULL

DO NOT SCALE PRINT

UNLESS OTHERWISE SPECIFIED TOLERANCES ARE

ONE PLACE (.0) ±.030
TWO PLACE (.00) ±.015
THREE PLACE (.000) ±.005
ANGLES ±

WEIGHT .092 LB

ANSI Y14.5M-1982 APPLIES